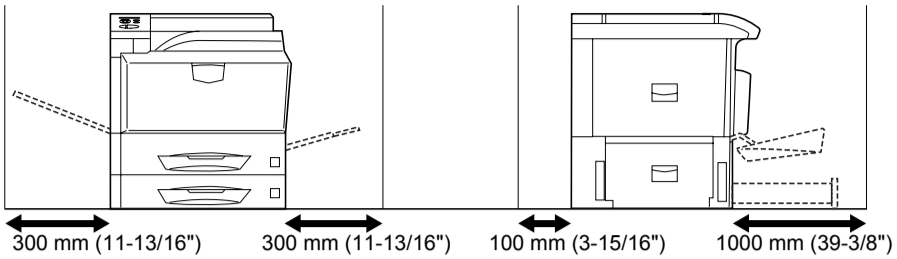


## Clearance



## Environment

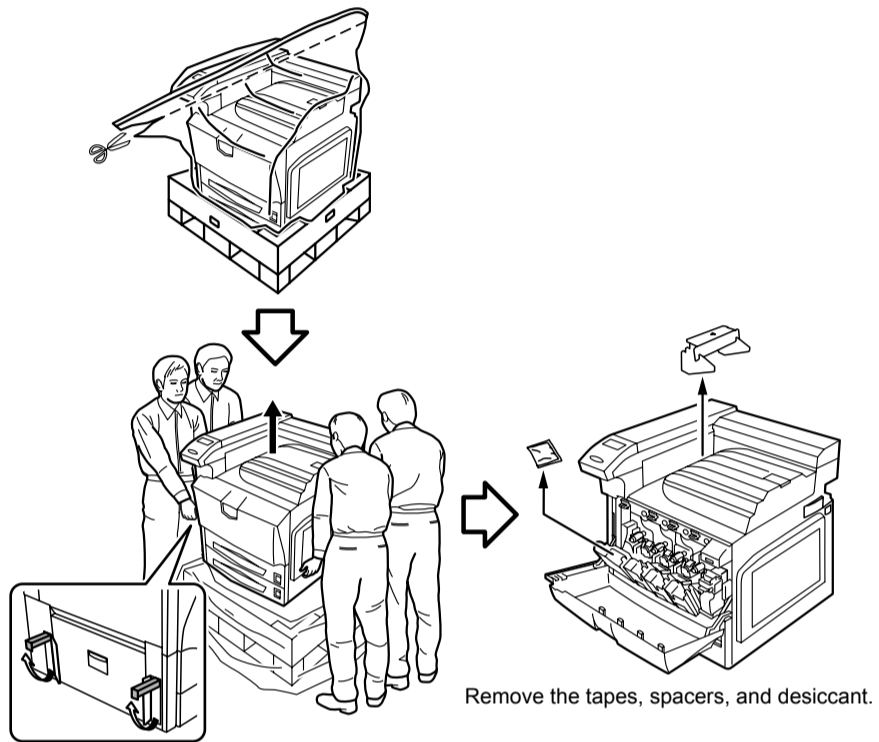
- Temperature: 10 to 32.5 °C (50 to 90.5 °F) However, the humidity should be 70 % or less when the temperature is 32.5 °C (90.5 °F)
- Humidity: 15 to 80 %RH However, the temperature should be 30 °C (86 °F) or less when the humidity is 80 %
- Power Supply: 120 V AC, 60 Hz, 12.0 A / 220 to 240 V AC, 50/60 Hz, 7.2 A

**CAUTION:** Be sure to provide enough space around the printer. Prolonged use without sufficient clearance may cause heat to build up inside the printer, resulting in fire.

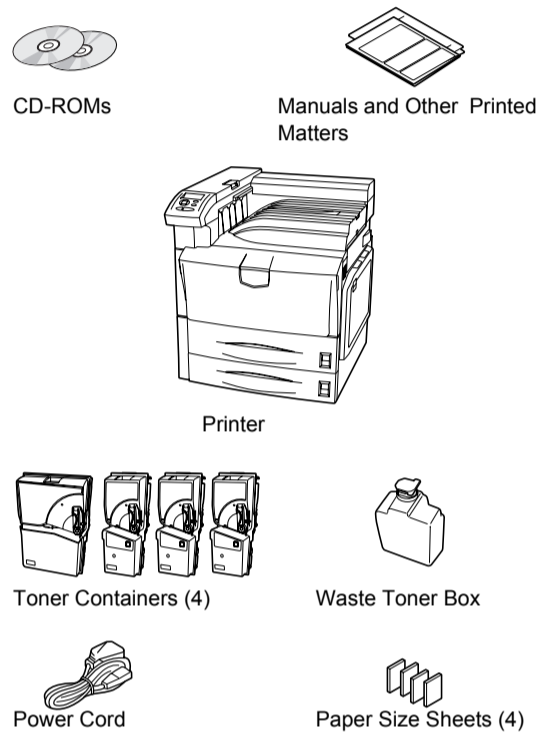
## 1 Checking Shipped Components

**CAUTION:** When moving the printer, pull out the two carrying handles on the left side, and move with the carrying handles on the right side by inserting hands in the two spaces provided to get a firm grasp. The printer must be carried by four persons or more.

### Unpacking

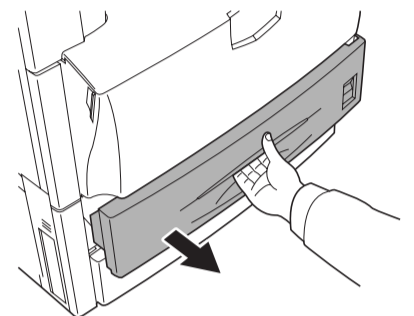


### Shipped components

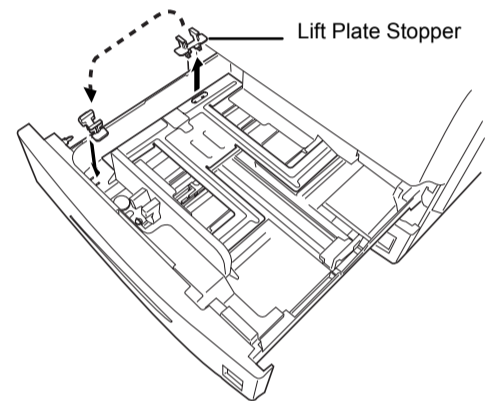


## 2 Removing the Lift Plate Stoppers

**1** Pull out the paper cassettes 1 and 2.

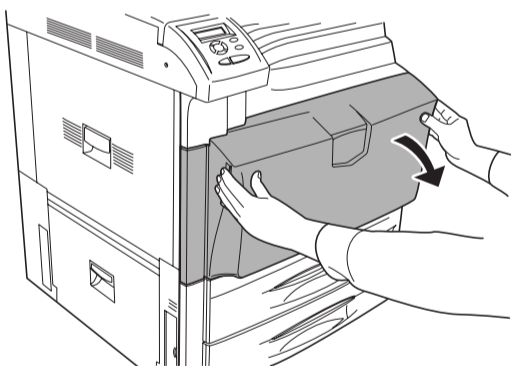


**2** Remove the lift plate stopper and attach it to the storage location.

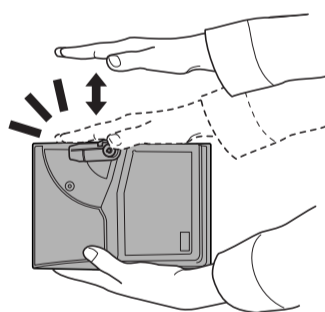


## 3 Installing the Toner Container and Waste Toner Box

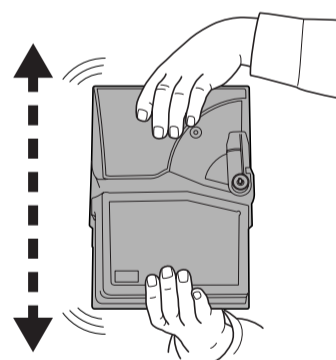
**1** Open the front cover.



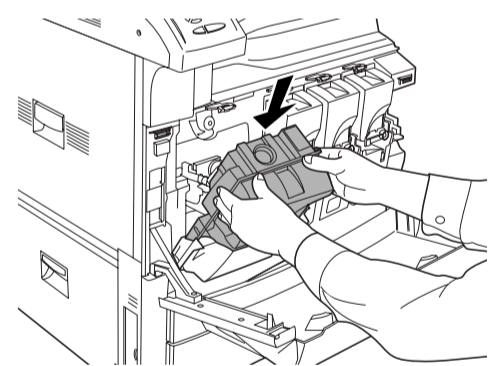
**2** Lightly tap the upper part of the toner container 10 times or more.



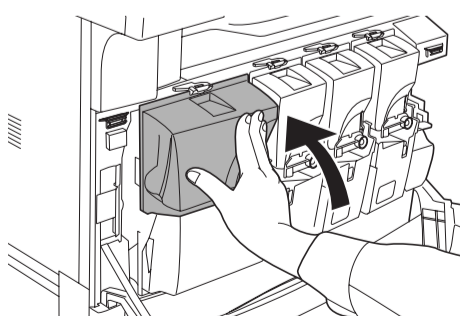
**3** Thoroughly shake the toner container 10 times or more.



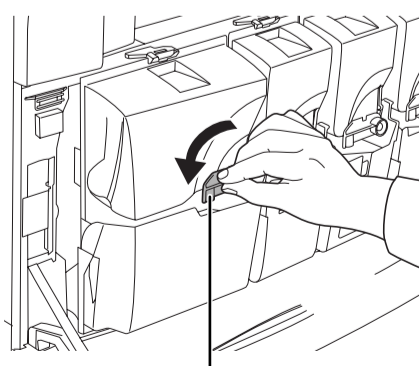
**4** Install the toner container.



**5** Push the front of the toner container firmly, until you hear a click.

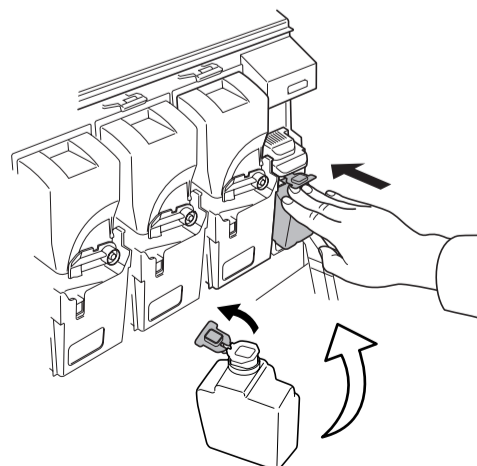


**6** Turn the lock lever to the left. Install the other toner containers in the same way.

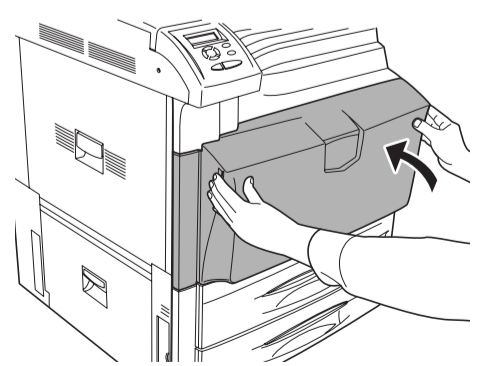


Lock Lever

**7** Open the cap of the waste toner box and install the waste toner box.

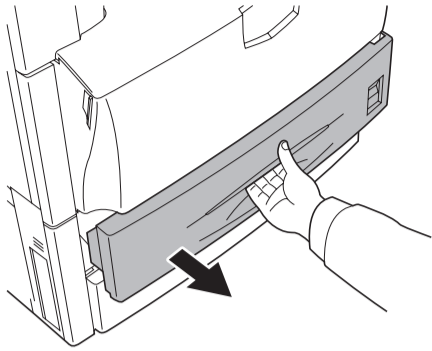


**8** Close the front cover.

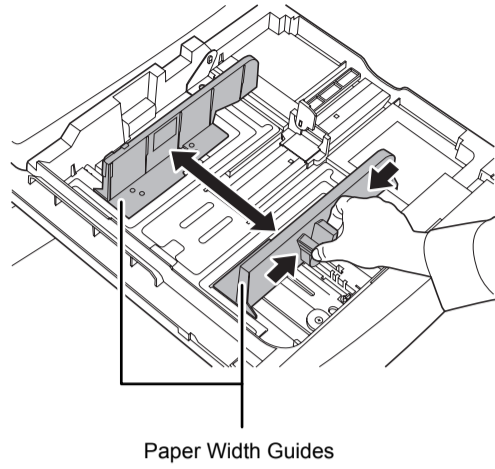


## 4 Loading Paper

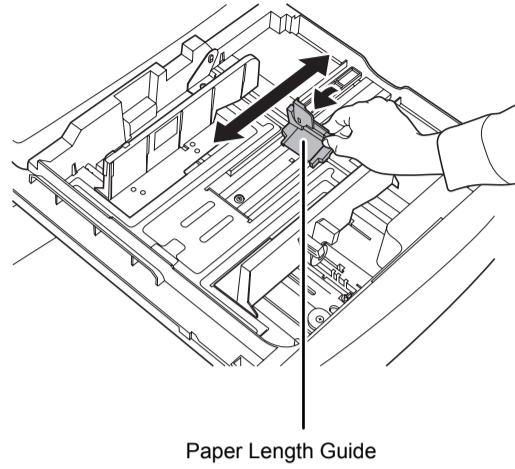
**1** Pull out the paper cassette.



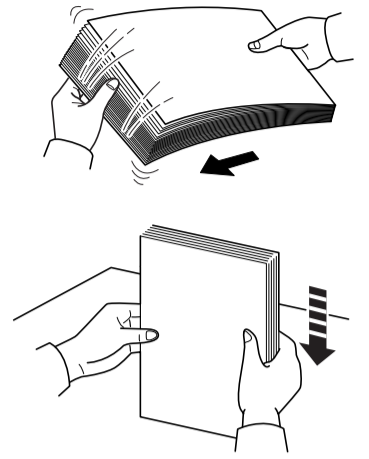
**2** Adjust the paper width guides to fit the paper size.



**3** Adjust the paper length guide to fit the paper size.



**4** Fan the paper, then tap it on a level surface to avoid media jams or skewed printing.



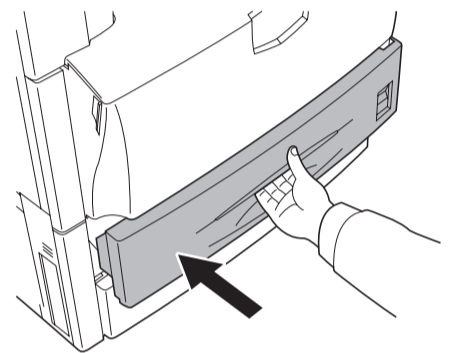
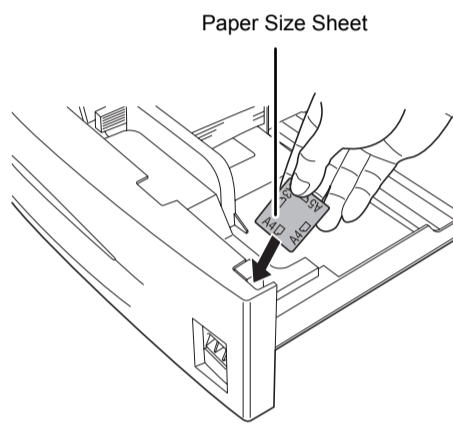
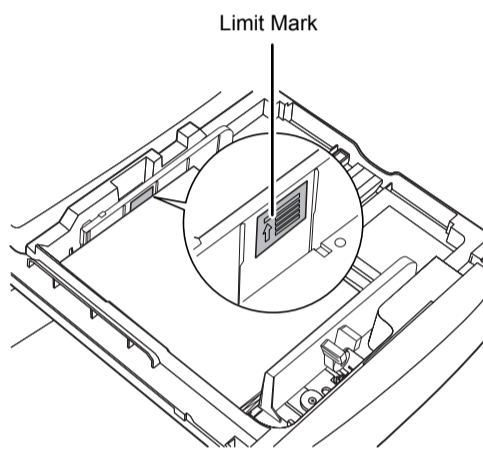
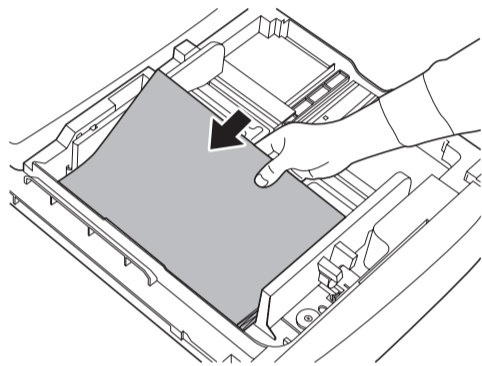
**5** Load paper in the cassette, with side to be printed downward.

For details on paper usable with this printer, refer to the *Operation Guide*.

**Important:** Do not exceed the upper limit of the tray. Otherwise, it may cause paper jams.

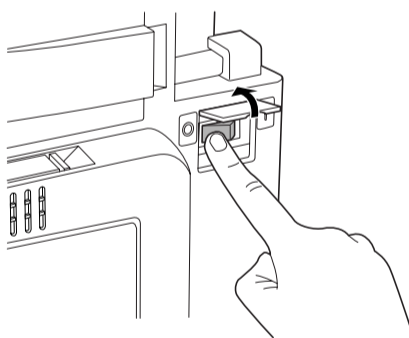
**6** Set the supplied paper size sheet at the front of the paper cassette.

**7** Push the paper cassette back until it stops.

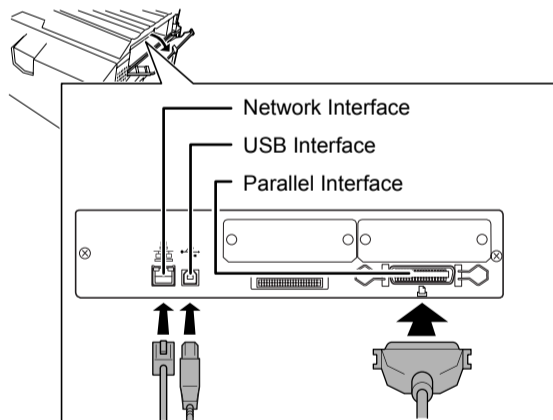


## 5 Connecting Cables

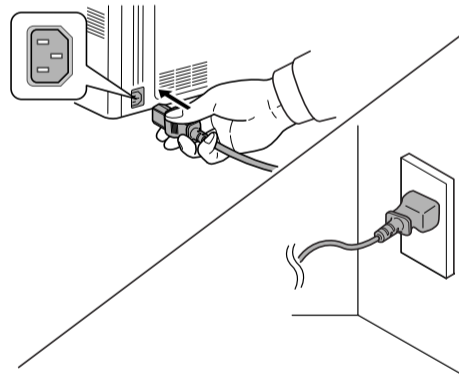
**1** Turn the power switch off (O).



**2** Connect the printer to the PC or your network device. (These cables are sold separately.)



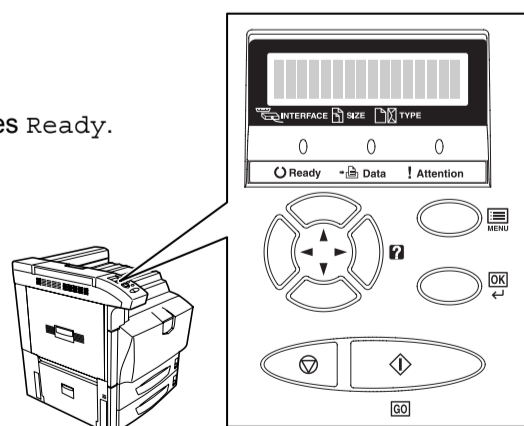
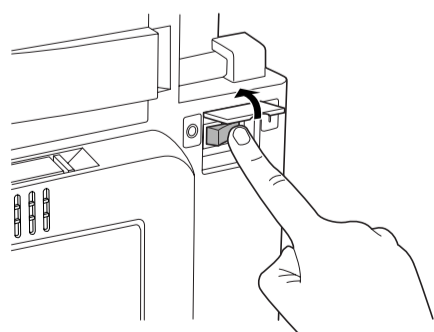
**3** Connect the power cord to the printer and the other end into a power outlet.



## 6 Test Printing

**1** Turn the power switch on (I).

**2** Wait until the message display indicates Ready.



**3** Press [MENU].

**4** Press ▲ or ▼ repeatedly until Print Status Page appears.

**5** Press [OK]. A blinking question mark (?) appears.

**6** Press [OK] again. The printer prints a status page.

Refer to the *Operation Guide* to install the printer driver and setting network parameters.